

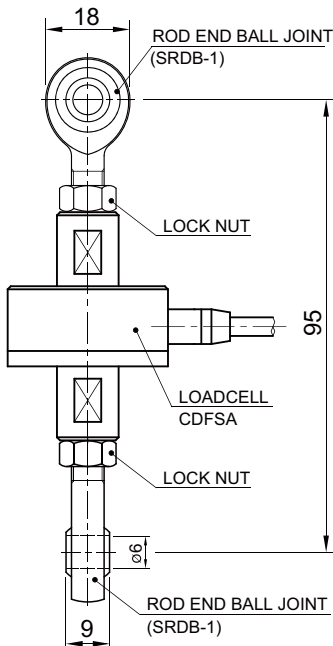
## Model CDFS Series

Tension & Compression  
Miniature Load Cell(10~200kg)

The model CDFS miniature type is designed for tension & compression service.

### SPECIFICATIONS

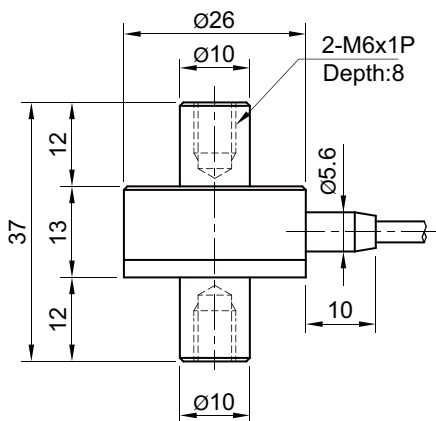
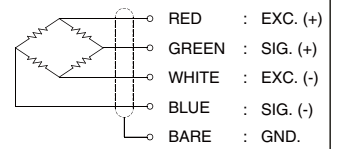
| MODEL                         | CDFSA, CDFSB, CDFSC                |
|-------------------------------|------------------------------------|
| Rated capacity (R.C.)         | 10, 30, 50, 100, 200kg             |
| Rated output(R.O.)            | 1.0mV/V ± 1%                       |
| Non-linearity                 | ≤0.5% R.O.                         |
| Hysteresis                    | ≤0.5% R.O.                         |
| Non-repeatability             | ≤0.2% R.O.                         |
| Creep error                   | ≤0.1% in 20min.                    |
| Zero balance                  | ≤1% R.O.                           |
| Compensated temperature range | -10 ~ 70°C                         |
| Operating temperature range   | -20 ~ 80°C                         |
| Temp. effect on rated output  | ≤0.1% LOAD/10°C                    |
| Temp. effect on zero balance  | ≤0.1% R.O./10°C                    |
| Terminal input resistance     | 410 Ohms ± 30 Ohms                 |
| Terminal output resistance    | 350 Ohms ± 5 Ohms                  |
| Insulation resistance (Min.)  | 2000 MOhms at 50V DC               |
| Excitation voltage            | 5V(Recommended), 8V(Max.)          |
| Electrical connection         | Ø3mmx1.5m (28AWG x 4Core Shielded) |
| Protection class              | meets IP 67                        |
| Safe overload                 | 150% R.C                           |
| Ultimate overload             | 300% R.C                           |
| Material                      | 17-4PH Stainless steel             |



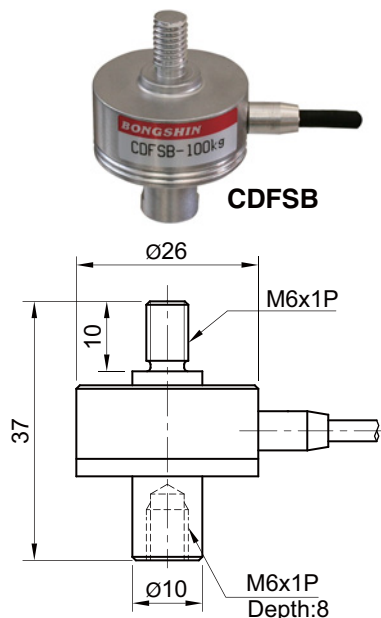
### ORDERING INFORMATION

| CDFS( ) - 10 |             |
|--------------|-------------|
| MODEL        | CAPACITY    |
| CDFSA        | 10, 30, 50, |
| CDFSB        | 100, 200kg  |
| CDFSC        |             |

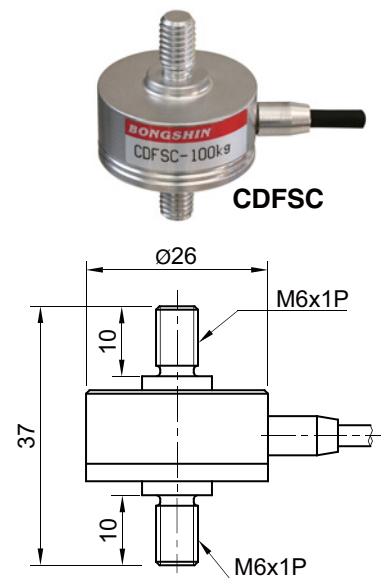
### WIRING INFORMATION



**Type - A**



**Type - B**



**Type - C**

\* Specifications are subject to change without notice

NOR, 2014