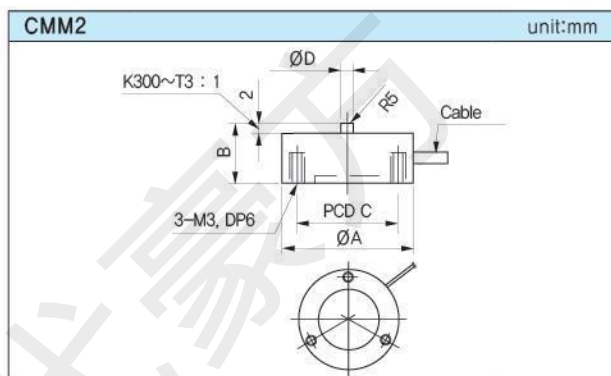
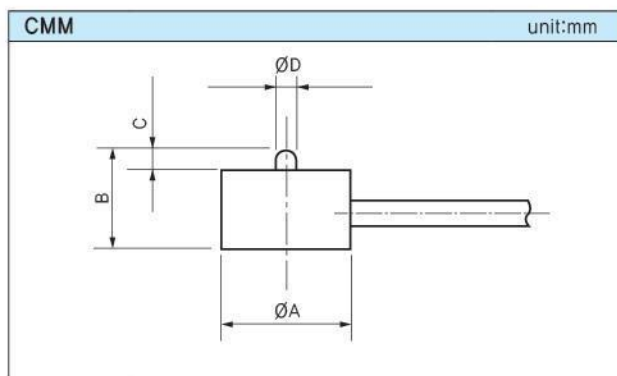


Miniature Compression Load Cells

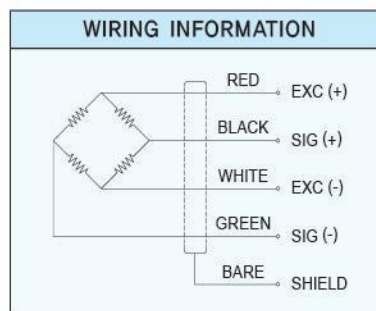
> Model CMM, CMM2

Optimum suitability for weight distribution analysis.
Super compact and lightweight.
Competitive price. Stainless steel construction.



> SPECIFICATIONS

Specifications	Accuracy
Rated capacity(R.C)	1kgf, 2kgf, 5kgf, 10kgf, 20kgf, 50kgf, 100kgf, 200kgf, 300kgf, 500kgf, 1tf, 2tf, 3tf
Rated output(R.O)	0.7mV/V to 1.2mV/V
Nonlinearity	≤1.0% R.O.(1tf~3tf : ≤2% R.O.)
Hysteresis	1.0% of R.O.
Repeatability	1.0% of R.O.
Zero balance	±5% of R.O.
Terminal resistance, input	350Ω ±10%
Terminal resistance, output	350Ω ±5%
Temperature range, allowable	-20°C to +70°C
Excitation recommended	5V DC
Safe overload	150% R.C.
Cable length	Ø3mm, 4core, 3m



> DIMENSIONS TABLE(CMM)

unit:mm

Capacity	A	B	C	ØD	Weight(kg)	
1kgf (9.807N)	16	12	2	2.5	0.2	
2kgf (19.61N)	16	12	2	2.5		
5kgf (49.03N)	16	12	2	2.5		
10kgf (98.07N)	20	11.5	2	2.5		
20kgf (196.1N)	20	11.5	2	2.5		
50kgf (490.3N)	20	11.5	2	2.5		
100kgf (980.7N)	20	11.5	2	2.5		
200kgf (1.961kN)	20	11.5	2	2.5		
300kgf (2.942kN)	20	14	0.7	4		0.3
500kgf (4.903kN)	20	14	0.7	4		

> DIMENSIONS TABLE(CMM2)

unit:mm

Capacity	ØA	B	PCD C	ØD	Weight(kg)
1kgf (9.807N)	21	12	17	2.5	0.3
2kgf (19.61N)	21	12	17	2.5	
5kgf (49.03N)	21	12	17	2.5	
10kgf (98.07N)	26	12	21	2.5	
20kgf (196.1N)	26	12	21	2.5	
50kgf (490.3N)	26	12	21	2.5	
100kgf (980.7N)	26	12	21	2.5	
200kgf (1.961kN)	26	12	21	2.5	
300kgf (2.942kN)	26	14	21	4	
500kgf (4.903kN)	26	14	21	4	
1tf (9.807kN)	26	14	21	4	
2tf (19.61kN)	26	14	21	4	
3tf (29.42kN)	26	14	21	8	

★ Specifications are subject to change without notice.