

Cross Roller Guide Aluminum X-Axis 4016

- Be careful when selecting left/right
- Can be used as a slider table
- Digital micro head can be added (Shortcut P.25)
- Can be sold without the micro head
- Coarse/fine micro head can be added (Shortcut P.24)
- Adjust screw can be added (Shortcut P.24)



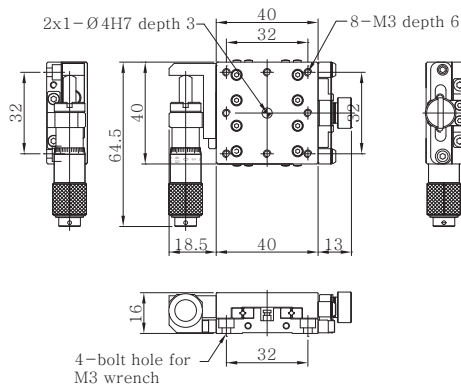
S1-4016R

-Actual product may differ from the photograph.

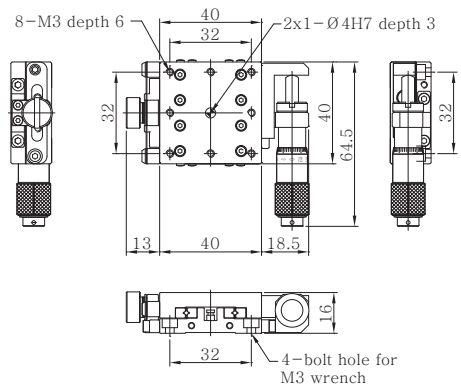
SPEC

Model Setup	S1-4016L	S1-4016R	S1-4016C
Micro Head Position	Left	Right	Center
Stage Size (mm)	40x40		
Travel (mm)	±6.5		
Resolution (mm)	10um / 1 increment		
Parallelism (mm)	0.02		
Running Parallelism (mm)	0.01		
Guide	Cross Roller Guide		
Material	Black anodized aluminum		
Load Capacity (kg/f)	2		
Weight (kg)	0.135		

S1-4016L



S1-4016R



S1-4016C

