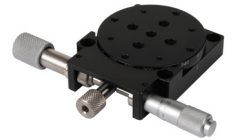


Surface Contact Method Rotation Stage 40, 60, 80

-Be careful when selecting left/right



RDS-40R



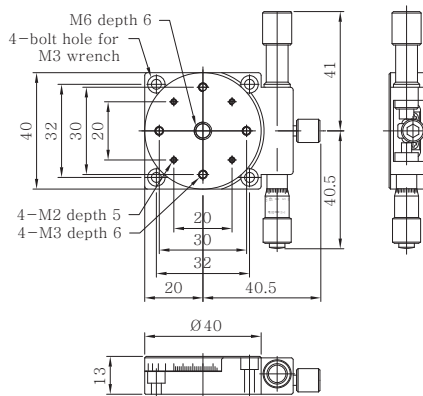
RDS-60R

-Actual product may differ from the photograph

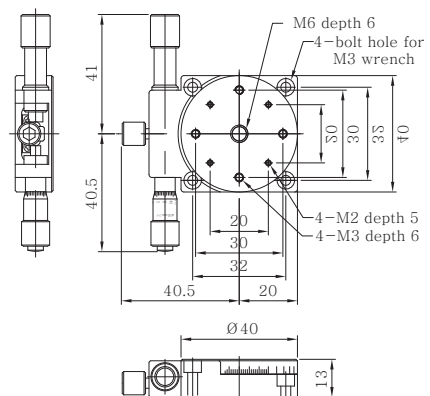
SPEC

Model Setup	RDS-40L	RDS-40R	RDS-60L	RDS-60R	RDS-80L	RDS-80R
Stage Size (mm)	φ40		φ60		φ80	
Travel (mm)	360° / ±5					
Reading (mm)	1° / Vernier					
Round Less (mm)	0.05					
Round Out (mm)	0.03					
Guide	Surface Work System					
Material	Brass			Aluminum		
Load Capacity (kg/f)	1			3		
Weight (kg)	0.095			0.6		

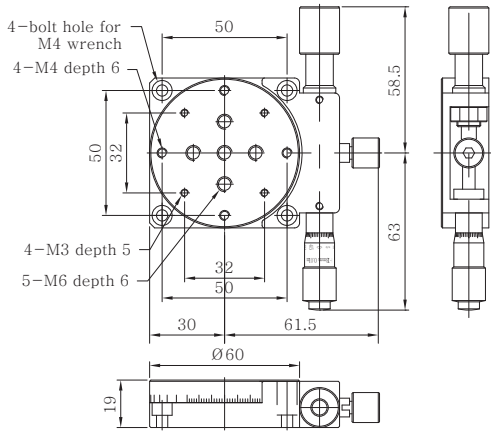
RDS-40L



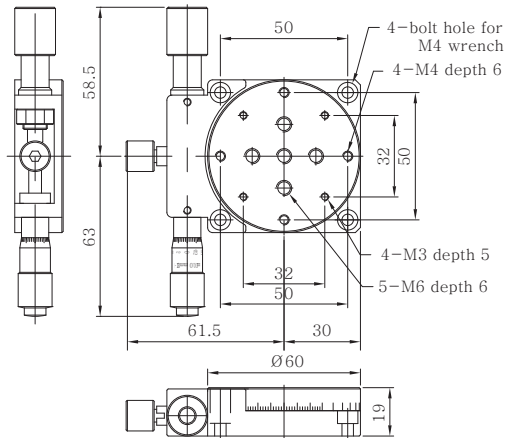
RDS-40R



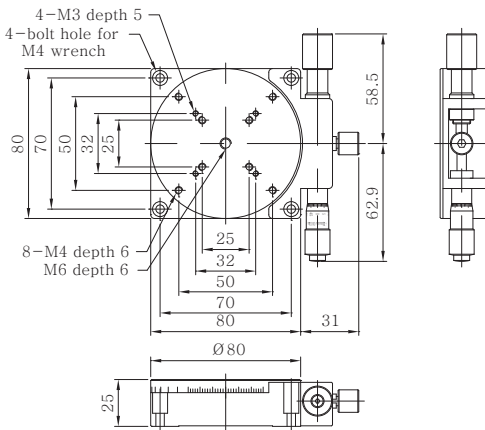
■ RDS-60L



■ RDS-60R



■ RDS-80L



■ RDS-80R

