

P601 Series Local Display Smart Pressure Transmitter



Feature

- High reliability smart pressure transmitter with local display for industrial application
- from 0 ~ 0.01 to 500 MPa
- Advanced piezoresistive or SOS silicon sensitive pressure sensor
- Long term stability
- Extremely high proof pressure
- Customized LCD display with backlight
- Ex d II C T6 / KGS
- HART Communication(Optional)
- 의장등록 제30-0366814호

Applications

The P601 series pressure transmitter is ideal for measurements which require a local display and a need to communicate with remote data acquisition equipment in industrial applications.

- Hydraulic and pneumatic system
- Regulation system of transmission line LPG and LNG
- Machine tools and automatic machinery
- Flow control and water treatment
- Oil and off-shore industry
- Equipments for chemical petrochemical industry
- Automation system and plant engineering
- Liquid level measurement

Input

Technology	Advanced piezoresistive or SOS silicon pressure sensor	
Pressure range	0 ~ 0.01 to 500 MPa Gauge, Vacuum or Compound pressure	
	0 ~ 0.1 to 3.5 MPa Absolute pressure	
Pressure reference	Gauge, including vacuum and compound and absolute	
Overload pressure	1.5 times of F.S. (Max. 500 MPa)	

Output

	Current output	
Electrical connection type	2-wire technique	
Full scale output signal	20 mA	± 0.03 %
Zero measured output	4 mA	± 0.01 %
Local display	Customized LCD with backlight	
	Other signals available on request	

Electrical Specifications

Power supply	12 ~ 36 V DC (It is not free voltage)	
Load resistance max@24 V	500 Ω at 24 V	
Power ripple	≤ 500 mV P-P	
Insulation resistor	≥ 20 MΩ, 25 V DC	

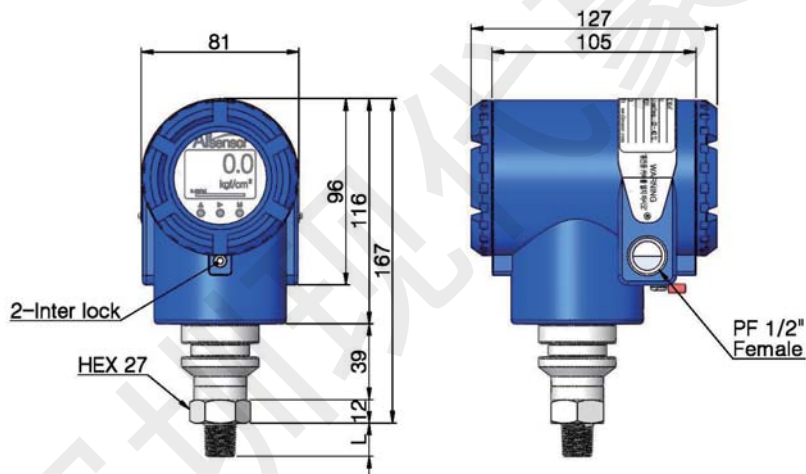
Performance Specifications

Accuracy	≤ ± 0.25 % F.S. (>100 MPa ≤ ± 0.5 % F.S.)	
Non-linearity	± 0.15 % F.S. typical	
Repeatability	± 0.05 % F.S. typical	
Pressure hysteresis	± 0.05 % F.S. typical	
Long term stability	± 0.10 % F.S. over 1 year	
Response time(10 ~ 90 %)	≤ 20 ms	
Reference temperature	25 °C	
Working temperature range(Process)	-40 ~ 125 °C	
Compensated temperature range(Process)	-10 ~ 80 °C (≤ 35 kPa ; 0 ~ 70 °C)	
Ambient temperature range	-20 ~ 60 °C	
Thermal sensitivity shift	≤ ± 0.75 % F.S. in reference to 35 °C typical	
Thermal zero shift	≤ ± 0.75 % F.S. in reference to 35 °C typical	

Physical Specifications

Process connection	R(PT) 3/8" (M) standard Other connections available on request
Electrical cable entry	G(PF) 1/2" female
Process media	Gases and liquids compatible with STS316L
Materials	Wetted parts : STS316L Housing & rear cover : Aluminum Die-casting Front cover : Aluminum Die-casting & Tempered glass adhesion assembly
IP grade	IP67
Explosion proof	Ex d IIC T6 (KGS / 방호장치 의무안전인증 고시 / 고용노동부고시 제2013-54호)
Vibration	0.1 g (1/M/s/s) Maximum
Weight	Approx. 1.5 kg

Dimension(mm)



Ordering Information

P 6 0 1 G H 0 0 1 0 M P E T

Model Name

P601 :
Local Display Smart
Pressure Transmitter

Pressure Range

Refer to pressure range code

Pressure Unit

M : MPa H : mmH2O
B : bar G : mmHg
P : psi T : torr
K : kgf/cm²

Process Connection

A : PT 3/8" L : NPT 1/4"
B : PF 3/8" M : NPT 3/8"
C : PT 1/4" N : NPT 1/2"
D : PF 1/4" P : NPT 1/4"
E : PT 1/2" Q : NPT 3/8"
F : PF 1/2" R : NPT 1/2"
G : M 20 x 1.5 P V : VCR 1/4"
H : PT 1/4"(F) W : VCR 1/2"
I : PT 3/8"(F) O : Others
J : PT1/2"(F)

Pressure Type

A : Absolute
G : Gauge

Output

H : 2 Wire 4-20 mA

Pressure Sensor

P : Piezo-Resistive
H : SOS
S : Strain gauge
T : Tantalum Diaphragm

Electrical Cable Entry

T : G(PF) 1/2" Female