

P201D Series Differential Pressure Transmitter



Feature

- Measuring ranges from 0.002 to 3 MPa diff.
- Advanced mono-crystalline silicon pressure sensor
- Excellent accuracy and long term stability
- Patented double overpressure protection (16 MPa)
- 40 MPa high working pressure

Applications

The differential pressure Transmitter can be used for a wide range of application in process control below

- HVAC
- Chemical, food and drug process monitoring
- Hydraulic and pneumatic system
- Machine tools and automatic machinery
- LPG and LNG Filter monitoring
- Liquefied gas tanks liquid level monitoring

Input

Technology	Advanced Mono-Crystalline silicon pressure sensor
Pressure range	0 ~ 0.002 to 3.0 MPa
Pressure reference	Differential pressure
Overload pressure	Max. 16 MPa
Working pressure	Max. 40 MPa

Output

Output Signal	4 ~ 20 mA (2-wire current output)
Voltage output signal	Other signals available on request

Electrical Specifications

Power supply	10 ~ 28 V DC (It is not free voltage)
Load resistance max@24 V	500 Ω at 24 V
Power ripple	≤ 500 mV P-P
Insulation resistor	≥ 20MΩ, 25 V DC

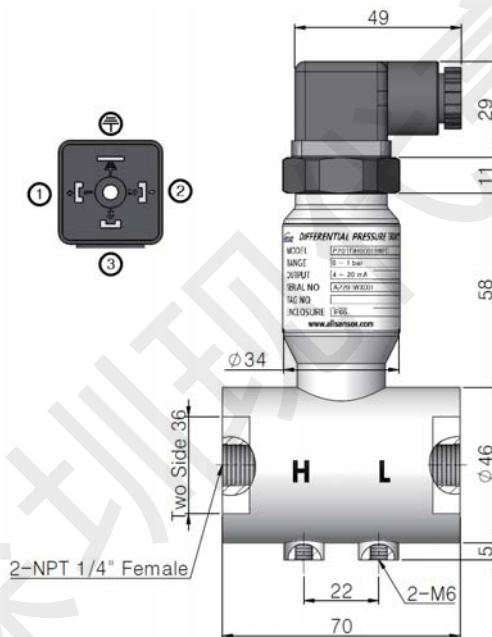
Performance Specifications

Accuracy	≤ ± 0.5 % F.S.
Non-linearity	± 0.15 % F.S. typical
Repeatability	± 0.05 % F.S. typical
Pressure hysteresis	± 0.05 % F.S. typical
Long term stability	± 0.10 % F.S. typical / year
Response time(10 ~ 90 %)	≤ 20 ms
Reference temperature	25 °C
Working temperature range(Process)	-40 ~ 85 °C
Compensated temperature range(Process)	-10 ~ 80 °C
Ambient temperature range	-20 ~ 60 °C
Thermal sensitivity shift	≤ ± 1.0 % F.S. in reference to 35 °C typical
Thermal zero shift	≤ ± 1.0 % F.S. in reference to 35 °C typical

Physical Specifications

Process connection	NPT 1/4" (F) (standard)
Electrical connection	DIN 43650, Cable or M12 X 1.0 connector
Process connection	Gases and liquids compatible with STS316L
Materials	Wetted parts : STS316L Housing : STS304
IP grade	IP65
Explosion proof	None
Mechanical vibration	20 g (20 ~ 5,000 Hz)
Shock	100 g (11ms)
Weight	Approx ; 1 kg

Dimension(mm)



Ordering Information

P 2 0 1 D H

Model Name

P201D :
D/P Transmitter

Pressure Type
D : Differential

0 0 0 1

Pressure Range

Refer to pressure range code

Output
H : 2 Wire 4-20 mA

H

Pressure Unit

B : bar
H : mmH2O
P : psi
M : MPa
K : kgf/cm²

M

Pressure Sensor

M : Mono-Crystalline

P

Process Connection

P : NPT 1/4" Female

D

Electric Connection

D : DIN 43650
C : Cable
M : M12 Connector